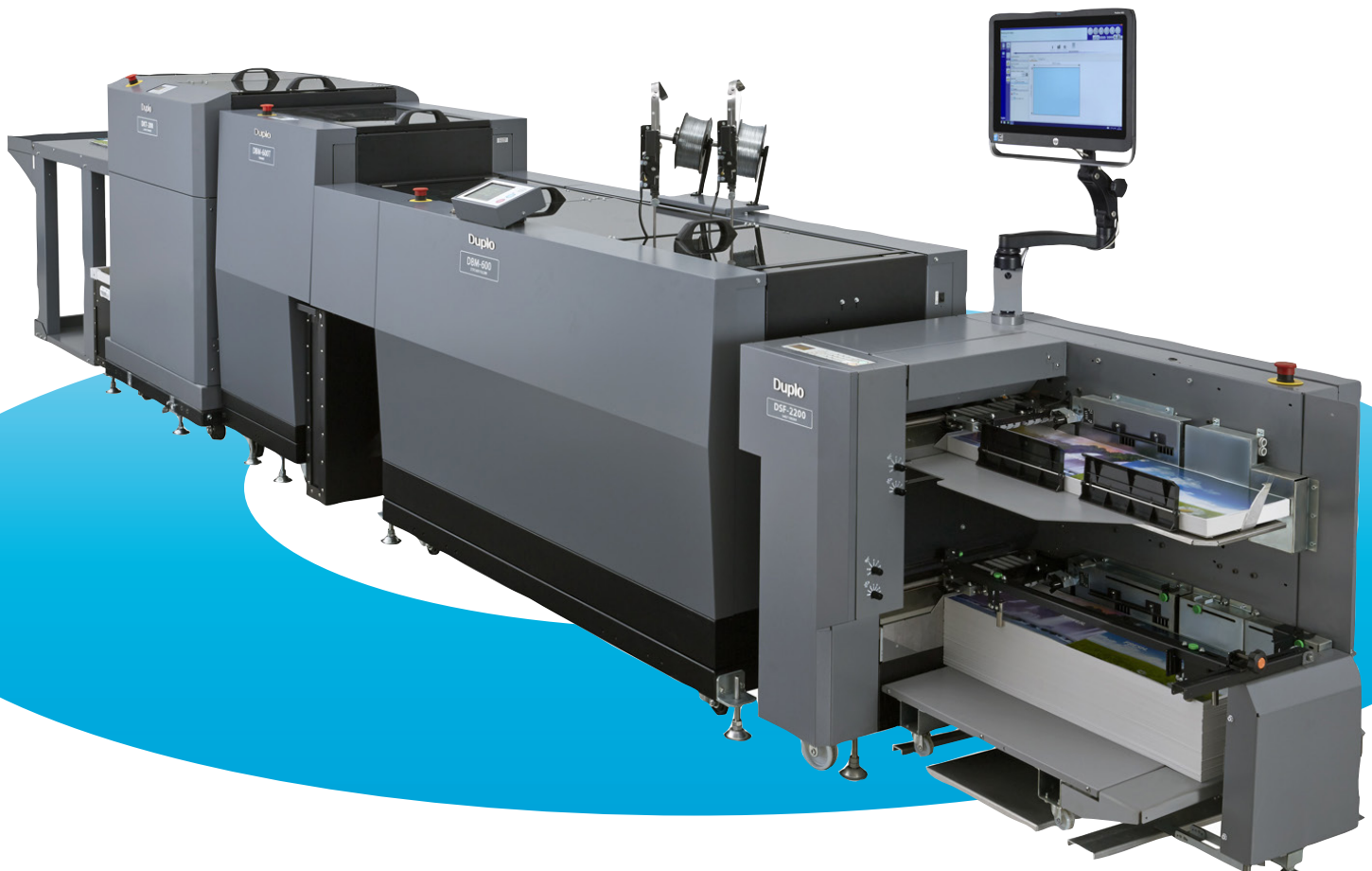


600 DIGITAL BOOKLET SYSTEM

THE INDUSTRY STANDARD FOR FINISHING DIGITALLY PRINTED SHEETS

PC Controlled, Fully Automatic Process
Up to 5,200 Booklets Per Hour
Accepts Output from Multiple Printers, Including A4 Landscape
Offers Integrity and Security

*Financial and Investments Reports, Corporate Reports, Personalised University Prospectuses,
Coupon Booklets, Year Books, Picture Books, CD Booklets, Photo Albums*



Duplo's revolutionary DBM-600 & DBM-600T combined with the DSF-2200 sheet feeder is the ideal near-line solution for high volume digitally printed sheets. The System is configured to meet the ever changing demands of today's digital printer and is designed to take printed output from multiple sources.



Automated Precision

The dynamic 600 Digital Booklet System allows you to support the digital printed output of multiple printers, whether from colour or mono presses or different printer vendors: merging together digital and offset sheets, creating simple brochures or complex personalised documents is only a few examples of what this system can do. From the centrally located touch screen PC, the operator can program and fine adjust (0.1mm accuracy) all modules using the icons – all without compromising print production quality and offering high speed professional finishing on a wide variety of sheet sizes and weights.

Productivity

The powerful 600 Digital Booklet System can finish up to 5,200 books per hour without operator intervention. It combines the robust lines of a large stitching system with exceptional ease of programming. Also, up to 4 heavy duty Hohner heads or loop stitching heads can be installed to accommodate a wider range of applications. The operator can produce booklets,



corner and side stitched documents easily, without the use of any tools.

Intuitive PC controller

The whole system is managed from a single PC controller. It automatically sets up within 60 seconds and changeover between jobs takes seconds without the use of any tools. The operator can create and save jobs with ease for future recall. The 600 Digital Booklet System can confidently finish documents with precision and accuracy. Each bin in the DSF-2200 is equipped with state of the art Ultrasonic Technology. The Ultrasonic Sensor detects if a double feed occurs regardless of ink colour, paper colour and paper density. This enables the operator to feed different paper weights within the same job. This is very useful when variable sheets documents are required.

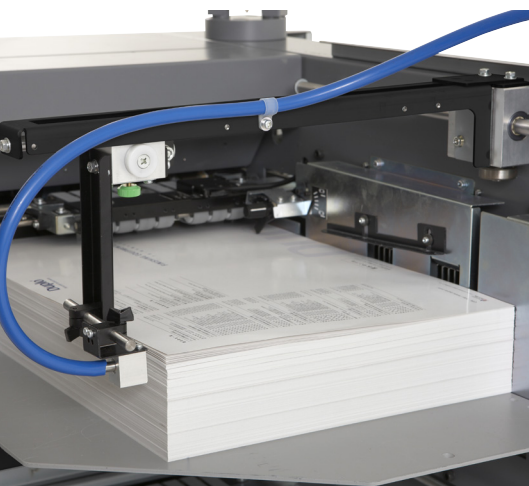


Superior Feeding System

The DSF-2200 is equipped with the Duplo AMS+ system consisting of an 8 belt feeding mechanism which enables the feed head to make contact with a large area of the sheet. Each bin comes with three separate high power fans, one to provide suction for feeding, another to provide front air to separate the lead edge of the sheets and a final one to provide side air to separate the sides of the sheets allowing air to flow through the entire length of the sheet for optimal paper separation. The operator can easily manage and control



Total Sheets	A4 Self Cover	A4 & Cover	A4 Self Cover End Mark	A4 & Cover End Mark	SRA4 Self Cover	SRA4 & Cover	A3 Self Cover	A3 & Cover	A3 Self Cover End Mark	A3 & Cover End Mark	SRA3 Self Cover	SRA3 & Cover
2	3066	4118	2588	4118	2962	4008	2584	3582	2584	3582	2481	3458
5	1735	2029	1735	2029	1662	1946	1407	1659	1407	1659	1342	1586
10	1007	1099	1007	1099	959	1048	800	876	800	876	760	833
15	709	754	709	754	674	717	559	595	559	595	530	565
20	547	573	547	573	520	545	429	450	429	450	407	427
25	445	463	445	463	423	439	348	362	348	362	330	343
30	376	388	376	388	356	368	293	303	293	303	278	287



DSF-2200 Trail edge kit and extension trays



DSF-2200: A4 Landscape feeding



Optional ASM-600 Squareback

the amount of suction, air and separation to accommodate difficult stocks. Moreover the feed trays on the DSF-2200 can be utilised in five different ways for optimum efficiency. The upper bin provides a loading capacity of 65mm and the lower bin provides a loading capacity of 200mm. Both bins can be used to feed the cover, contents or sets with self covers and can feed a variety of paper types and weights up to 300gsm.

A4 Landscape Format

The DSF-2200 handles a wide variety of formats and can accommodate sheets up to 610mm long coming from the biggest digital presses. The 600 Digital System produces the popular A4 landscape finished booklets as well as the 300x300mm finished Photo Album. Even when the smallest formats are required (Min: 150x200mm) there is no need for special parts to be added or removed, the machine will adjust itself automatically.

For longer sheets, a smart Trail Edge Air kit provides additional air to assure a good sheet separation.

Integrity and Security for variable set feeding

The DSF-2200 sheet feeder is equipped with a feature like Optical Mark Recognition. It detects the end of a document, even when a set has a different number of sheets.

The optional Barcode Kit which reads 1D or 2D barcodes, helps control production, merge and check every single sheet, which in turn guarantees full set integrity. The kit comprises of two readers for each feed tray.

Options:

DKT-200

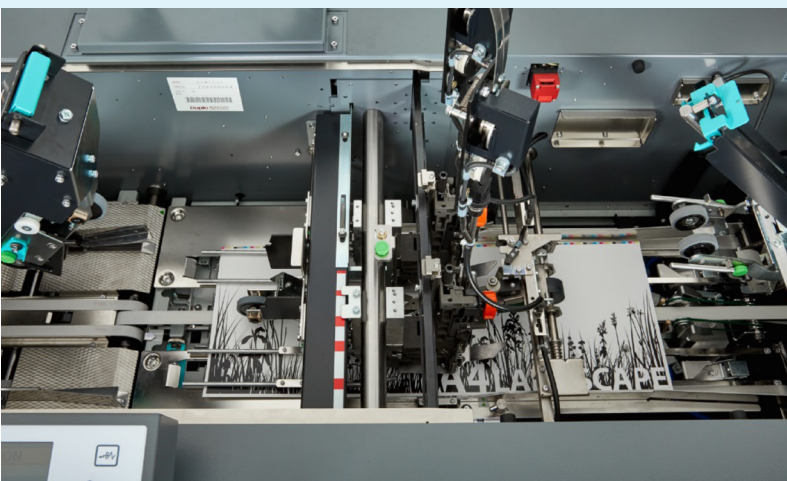
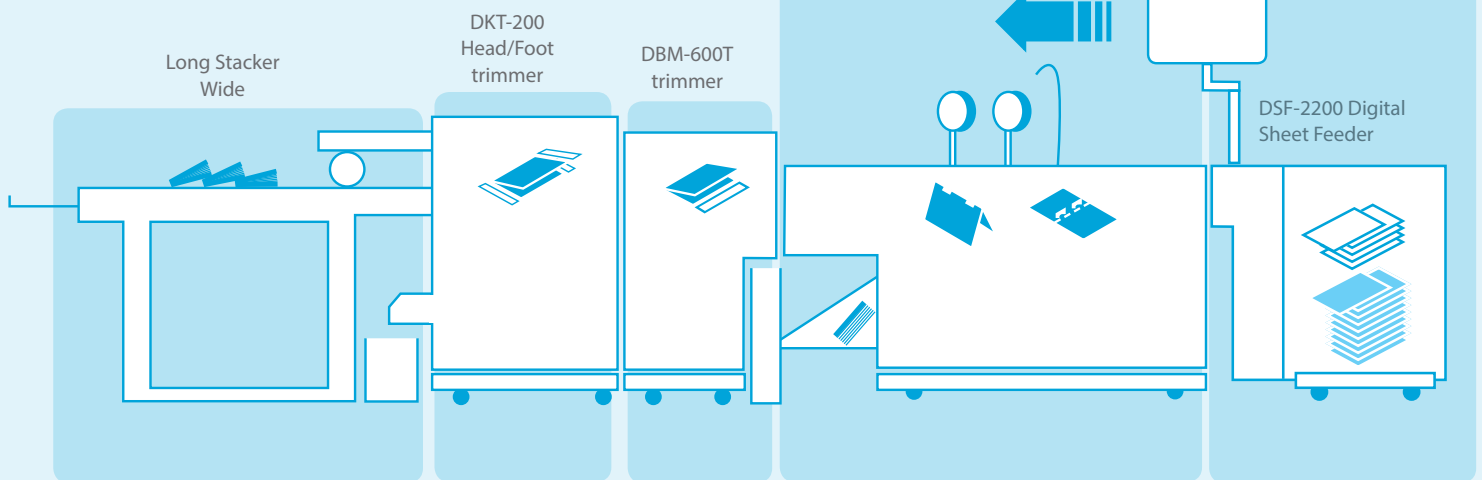
The 600 Digital Booklet System is a very modular system and can be customised according to the end users need, allowing them to configure and expand as their needs and demands change. For full bleed finishing, it can be configured with the DKT-200 Two Knife Trimmer which trims the head and foot of the finished book. With the optional Gutter Cut Module an operator can produce two up applications effectively doubling production speed up to 9.000 books per hour. A hole punch option is very useful for filing purposes.

ASM-600 Square-Spine:

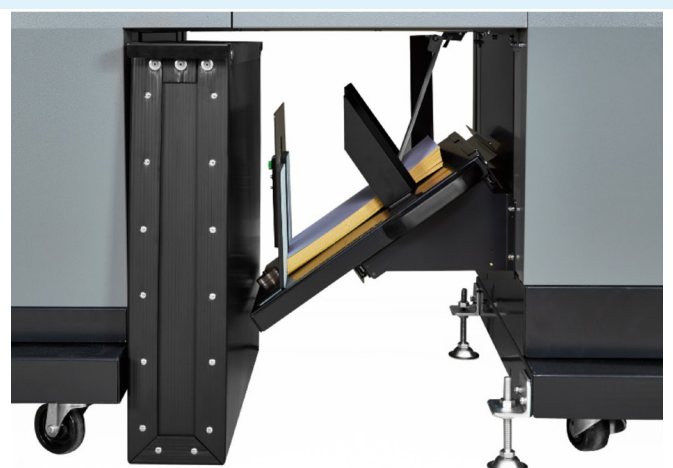
A common favourite for customers in the digital print market, the ASM-600 produces a square perfect-bound effect finish. This can be bypassed when not required.



600 Digital Booklet System - Process Workflow



DBM-600: Flat paper path, open architecture and easy access



DBM-600: Corner and side stitch tray

Technical Specifications

DBM-600 Bookletmaker, DBM-600T Trimmer & DKT-200 Head and Foot Trimmer

Max Booklet 1-up Production Speed	4,600 A5-booklets up to 10 sheets 5,200 105x200mm-booklets up to 5 sheets
Max Booklet 2-up Production Speed	Up to 9,000 booklets/hr 2-up booklets (when connected with DKT-200 Trimmer)
Max Booklet Thickness	6 mm (30 sheets of 80 gsm, 120 pages book)
Flat Sheet Size Max Flat Sheet Size over 500 mm in Length	Max 350 mm (W) x 508 mm (L) Max 230 mm (W) x 610 mm (L) Min 120 mm (W) x 170 mm (L) Min 105 mm (W) x 297 mm (L)
Finished Untrimmed Booklet size 1-up Production	Max 350 mm (W) x 254 mm (L) Min 120 mm (W) x 85 mm (L) Min 105 mm (W) x 148,5 mm (L)
Finished Booklet Size 1-up Production Max Finished Booklet Size over 500 mm in Length	Max 350 mm (W) x 254 mm (L) Min 120 mm (W) x 75 mm (L) Min 105 mm (W) x 75 mm (L) Max 210 mm (W) x 297 mm (L)
Finished Booklet Size 2-up production 2 stitches in each booklet (centered) 2 stitches in each booklet (non-centered) 1 stitch in each booklet	Max 171 mm (W) x 254 mm (L) Min 114 mm (W) x 75 mm (L) Min 105 mm (W) x 75 mm (L) (12 pages max) Min 90 mm (W) x 75 mm (L) (12 pages max)
DBM-600T Trimmer Front Knives Max Trimming Thickness	1 to 25 mm Up to 75 mm with 12 pages or less within 6 mm
Folding Capacity	2-30 Sheets
Fine Adjustment	From 0.1 mm
Max Stitching Capacity	3 mm (30 Sheets of 80 gsm)
Min/Max Stitching Head Distance (1-up)	60 - 320 mm
Stitching Head Distance (2-up)	58.5 mm (55 mm in fine adjustment mode)
Stitching Heads	Standard Fitting: 2x Hohner 43/65 Optional 4 Hohner Flat/loop heads
Controls (DBM-600/600T, DKT200, DSC10/60i, DSF2200)	PC Controlled Job Programming, save and recall Fully automated set-up Microsoft Windows-base GUI (Graphical User Interface) Individual control panel for fine adjustment

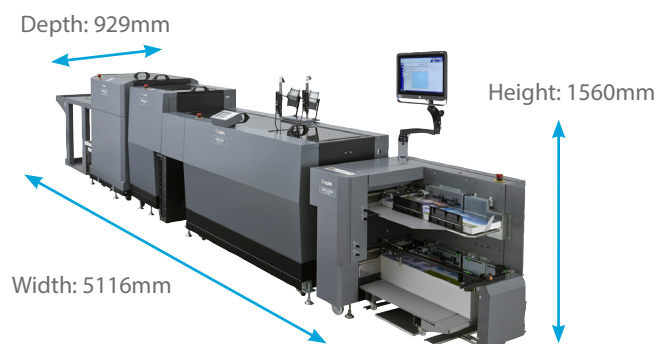
DSF-2200 Sheet Feeder

Paper Capacity	Main feed tray: 200 mm media stack height Auxiliary feed tray: 65 mm media stack height
Paper Size Max Flat Sheet Size over 500mm in Length	Max 356 mm (W) x 508 mm (L) Max 230 mm (W) x 610 mm (L) Min 105 mm (W) x 200 mm (L)
Paper Weight	From 60 to 300 gsm
Features	OMR (Optical Mark Reader) end-of-set mark reader Ultrasonic double sheet detection Hand feeding Active anti-static bar Trail edge air kit (Extra air for long sheet sizes up to 610 mm in Length)
AMS+ Feeding System Unique Total Feed Control on Each Bin	Ability to increase the flow of air and vacuum on each bin Ability to adjust the feed timing
Optional Barcode Reader Kit	Fits two trays 1D & 2D Barcode recognition Codes supported: Code 39, 93, 128, 2of5, Datamatrix
Options	Pre-loading tray kit (Pre-loading stack of sheets on trolley)
Power Supply	220 - 240V 50/60Hz 1.1 A 260W
Dimensions - Net Weights	750 mm (D) x 920 mm (W) x 843.5 mm (H) - 115 kg

Job Memories	Infinite from PC Controller
Folding Rollers	Automatic Mechanism
Error Detect Sensors	Stitching Wire; Paper Feed; Paper Jam, Safety Guards
Features	Quick and automatic job changeover Straight paper path with LED lighting Centre registered system Clear visibility, wide and easy access within each modules
DBM-600 Options	4 Hohner flat/loop heads DBM-600 Sheet by sheet air kit (multiple sheet feeding) DBM-600 Offset Trim with manual control (from A to 21mm) Hand feed Kit (DBM-600 manual feeding)
DKT-200 Head and Foot Knives Max Trimming Thickness	Min/Max trim 2-60 mm 30 mm Max trim for each knife 1-up: 6mm 2-up with Gutter knife: 2.4mm Hole Punch unit: 3mm
DKT-200 Options	6 mm Gutter Cut knives DKT-200 Offset Trim kit with manual control (from 1 to 21 mm) 6.4 mm Diameter 2 Hole Punch Kicker/Batching Unit
Connecting Devices	DKT-200 Head and Foot Trimmer ASM-600 Square spine for perfect bound effect DCR-ST Stacker (criss cross) DBM-600T/DKT-200 Long Delivery Conveyor (DBM-LSW) Paper extractor device
Power Supply	220 - 240V 50/60Hz (DBM-600: 2.5A/DBM-600: 3.4A)
Power Consumption	DBM-600: 465 W - DBM-600T: 645 W
Dimensions - Net Weights DBM-600	1848 mm (W) x 929 mm (D) x 1227 mm (H) - 377 kg
DBM-600 Trimmer	716 mm (W) x 717 mm (D) x 1124 mm (H) - 233 kg
DKT-200 & LSW	2302 mm (W) x 700 mm (D) x 1169 mm (H) - 472 kg

Optional ASM-600 *Only available connected after a DBM-600T Trimmer*

Produces square spine finish	
Booklet sizes	Length : 80 to 250 mm Width : 120 to 350 mm Thickness : 1mm to 6.5 mm
Dimensions	Replaces delivery conveyor with same overall length
Weight	132 Kg (Without sliding base)
Power	230 VAC, 50 Hz, 3 A



Duplo International Limited

Automated Precision House,
Hamm Moor Lane,
Addlestone,
Surrey KT15 2SD

Tel +44(0) 1932-263-900 - Fax +44(0) 1932-263-901
info@duplointernational.com - www.duplointernational.com

Duplo is a trade mark of the Duplo Corporation. Duplo has a policy of continuous improvement and reserves the right to amend the above specifications without prior notice.

Production rates are based on optimal operating conditions and may vary depending upon stock and environmental conditions. As part of our continuous product improvement program, specifications are subject to change without notice.



Ref: 600DS/10/15